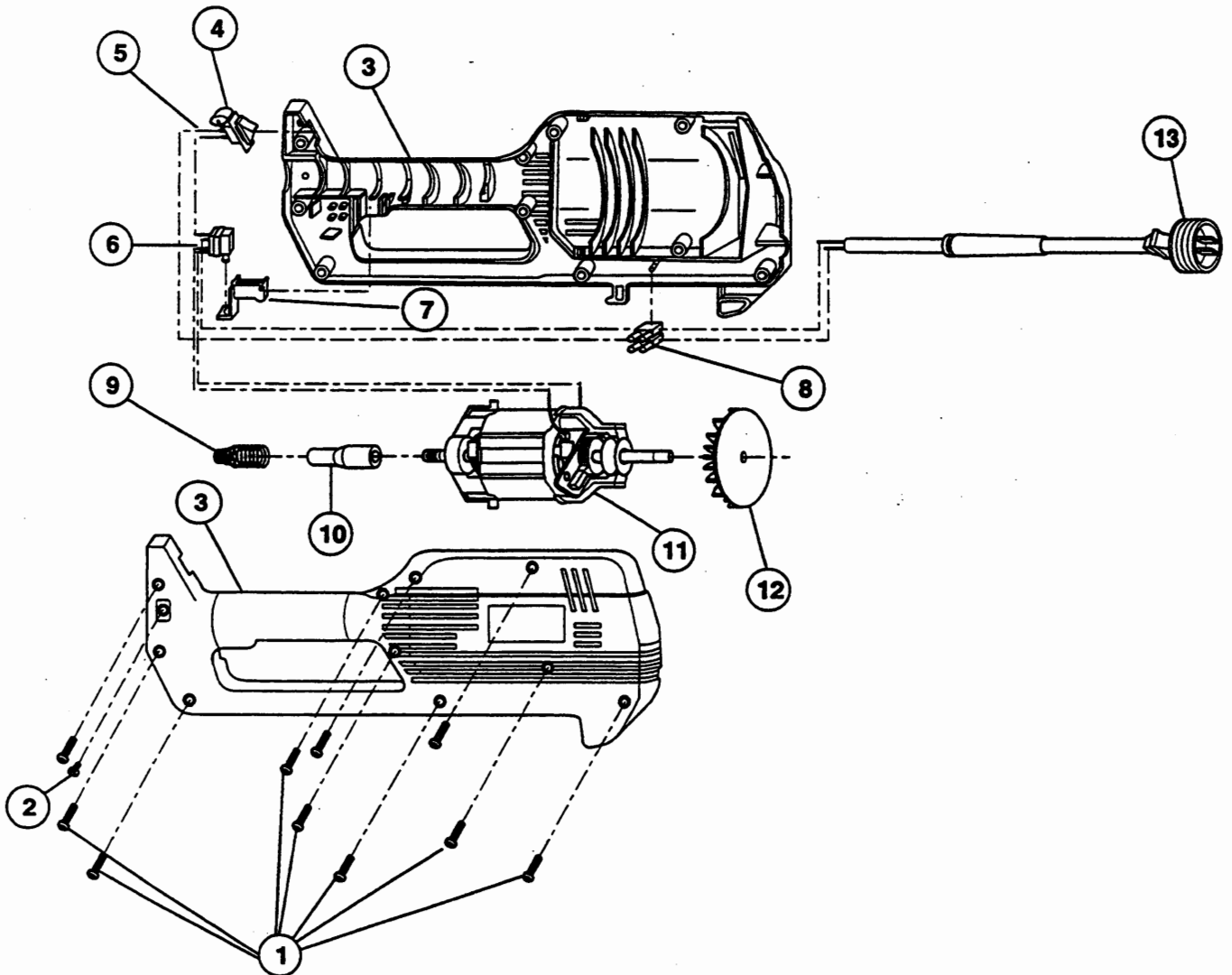


MOTOR AND HOUSING PARTS - MODEL PH135r

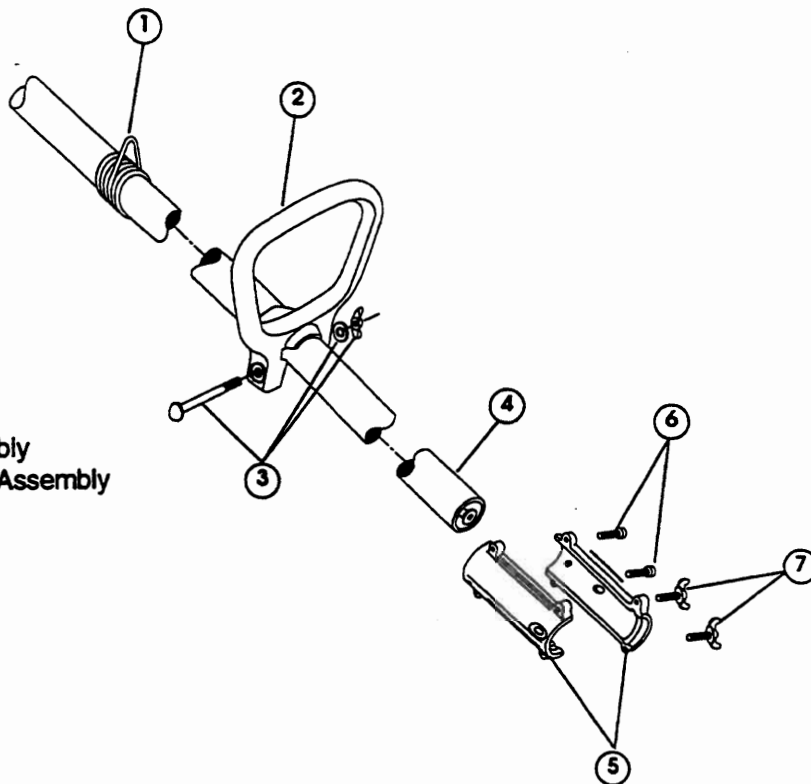
(Serial no. 407104738 and greater)



<u>Item</u>	<u>Part No.</u>	<u>Description</u>
1	181482	Screw
2	145569	Anti-Rotation Screw
3	180301	Motor Housing Assembly
4	180302	Two-Speed Switch Assembly
5	180559	Lead Wire
6	180150	Switch
7	180151	Trigger
8	180305	Terminal Block
9	612468	Spring
10	180152	Driver
11	180154	Motor (includes 8 & 10)
12	180155	Cooling Fan
13	180156	Power Cord

BOOM & TRIMMER PARTS - MODEL PH135r

(Serial no. 407104738 and greater)



<u>Item</u>	<u>Part No.</u>	<u>Description</u>
1	610327	Shoulder Strap Clamp
2	145819	D-Handle
3	181587	D-Handle Hardware Assembly
4	180688	Upper Drive Shaft Housing Assembly
5	683605	Split Boom Coupling Set
6	683606	Coupling Bolt Assembly
7	683607	Adjustment Knob Assembly